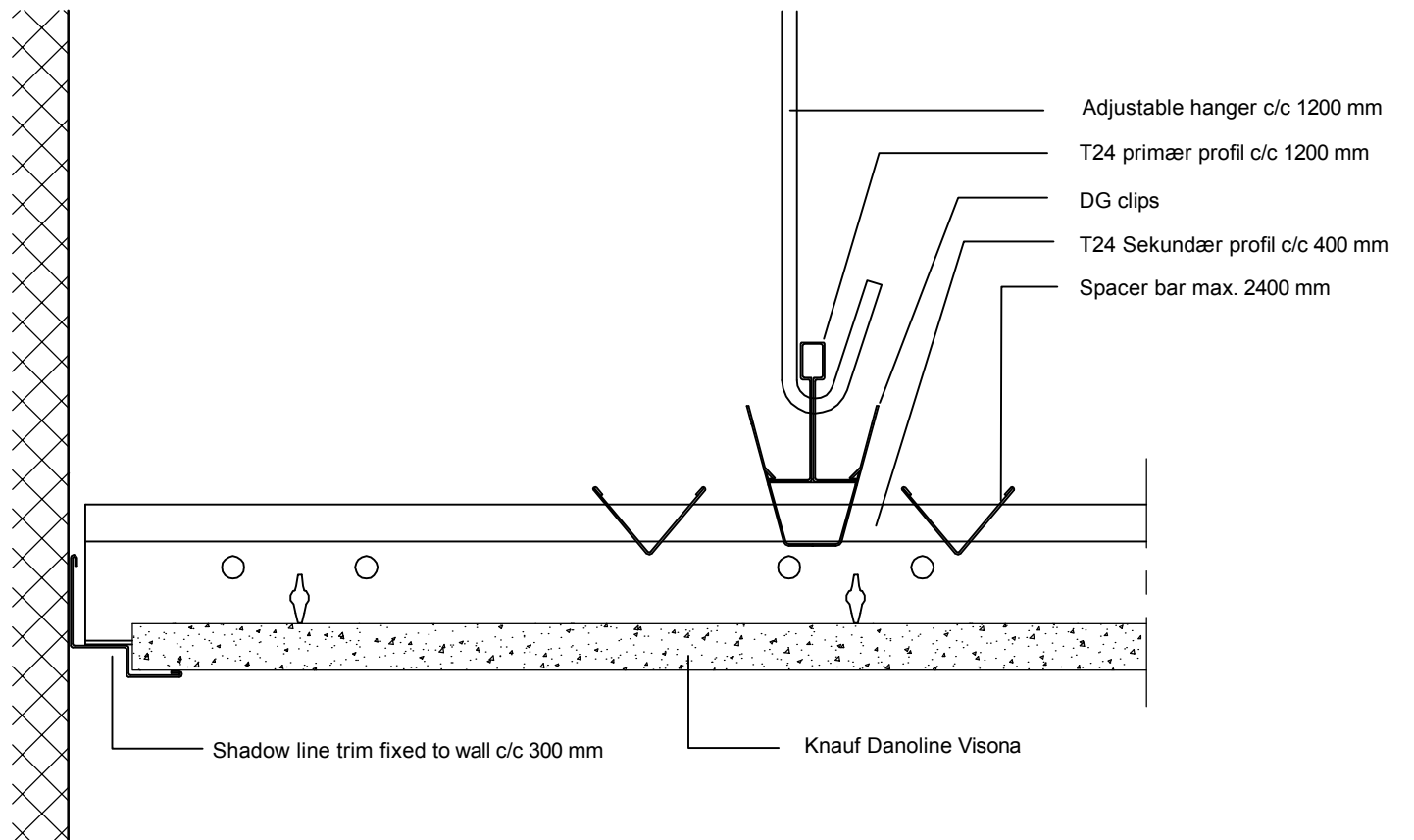
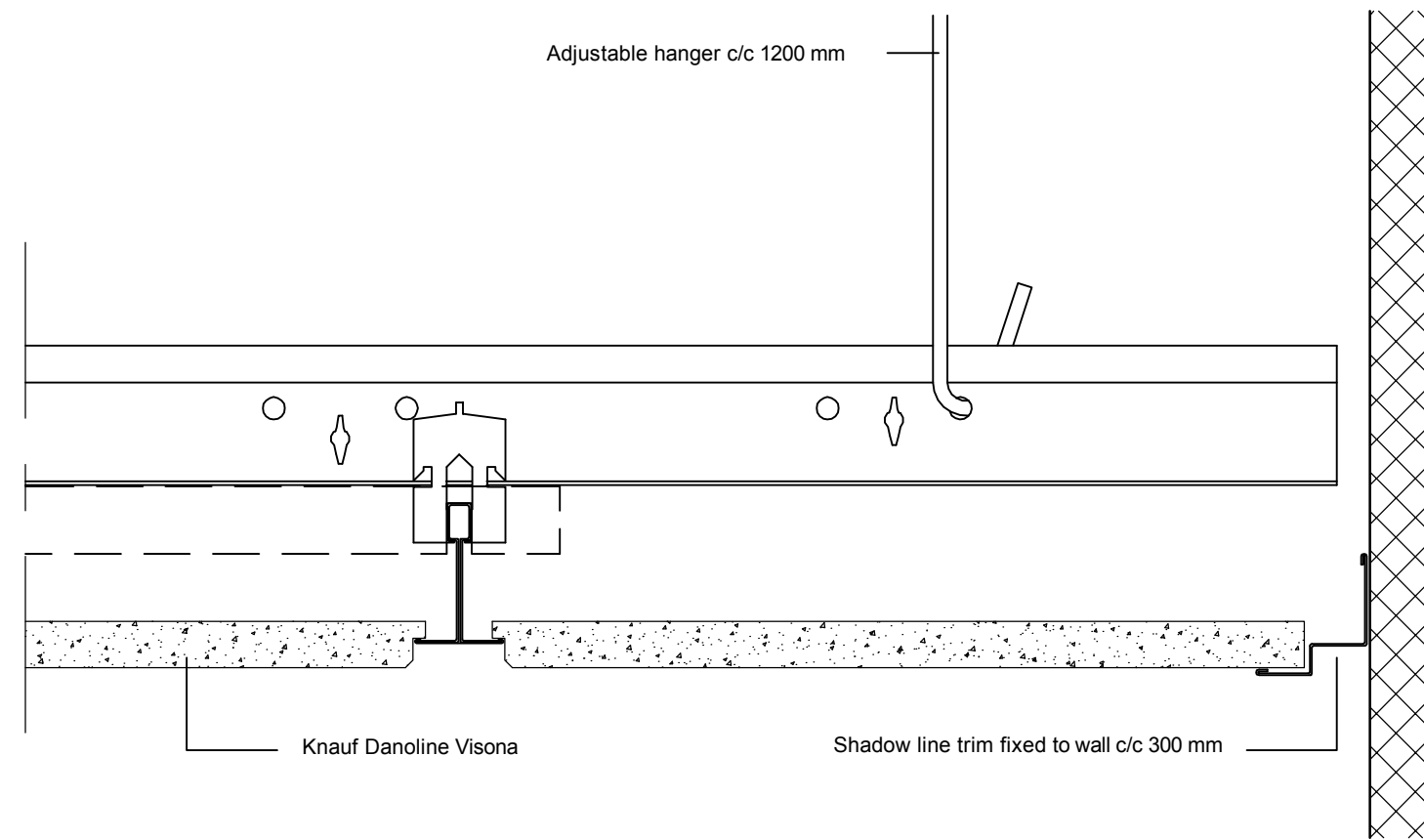
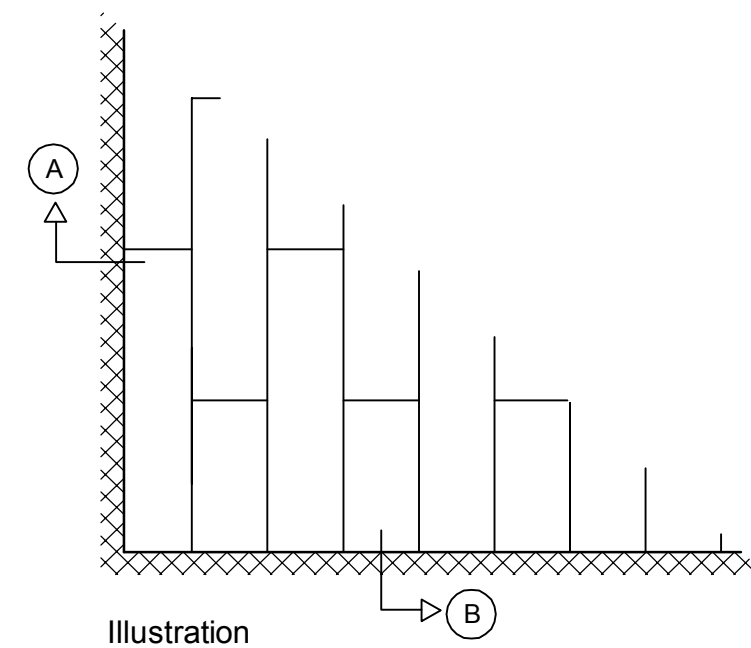



Section A-A cross-direction profile



Section B-B longitudinal direction of the profile



Project: Visona	Draw. no.: 234-01
Subject: Wall connection with shadow line trim	Scale: 1:2
	Date: 15.02.2014
	Rev.: 24.09.2014
	Sign.: NPJ/MG
Knauf Danoline A/S Kløvermarksvej 6, DK-9500 Hobro T: +45 9657 3000 F: +45 9657 3001 www.knaufdanoline.com - info@knaufdanoline.com	Project no.:
	File: